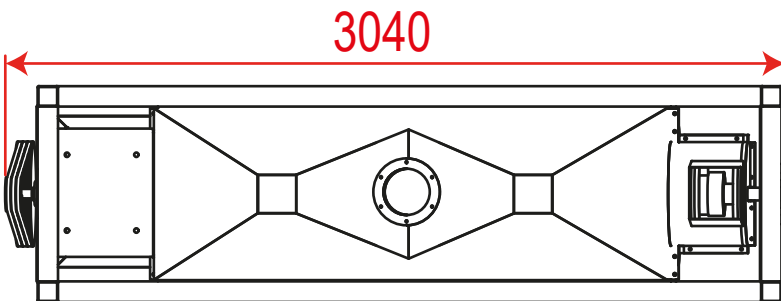
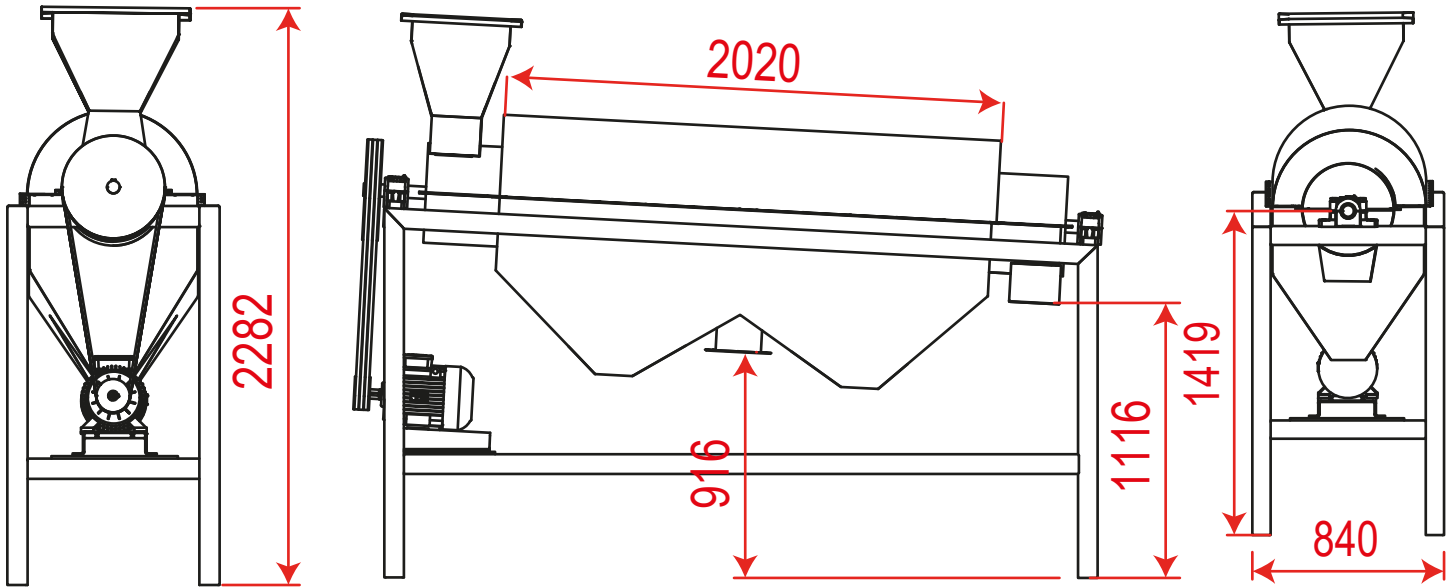




POLISHING MACHINE AK 50-1

Polishing Machine

Continuous Friction Polisher is able to provide polished look on seed lot. Process takes place in drum body of the equipment; Drum surface is perforated screen and within drum screw flights made of soft material conveys the seed from entrance inlet to exit outlet . During this conveying process seed friction takes place and fine dust leaves the surface of the seed through perforated drum and exits from bottom chute. At the entrance inlet Aspiration unit located on machine removes initial dust with suction. Adding value to your commodity by polished look, increased the visual quality of seed.



CAPACITY	
Corn	6-7 Ton
Green Mung Beans	5-6 Ton
Beans	6-7 Ton
Sunflower	4-5 Ton
Drive Motor	5.5 kW
Aspirator	2.2 kW



POLISHING MACHINE AK 50-1



Akyürek Makine A.Ş.

Karaduvar Mahallesi 65117 Sokak
No:37 Mersin / TÜRKİYE

Telefon: +90 324 237 47 48 - +90 324 234 47 59
+90 324 237 37 14 - +90 324 237 47 10

Faks: +90 324 234 47 07

E-Posta: info@akyurekltd.com

Web: www.akyurekltd.com



Akyürek Makine A.Ş.

Karaduvar Avenue 65117 Street
No:37 Mersin / TÜRKİYE

Phone: +90 324 237 47 48 - +90 324 234 47 59
+90 324 237 37 14 - +90 324 237 47 10

Fax: +90 324 234 47 07

E-Mail: info@akyurekltd.com

Web: www.akyurekltd.com



+90 444 6 259

www.akyurekltd.com

Akyürek Kardesler San.Tic.Ltd.Sti. Have all the copyrights of the information and pictures provided in this catalogue. We have all rights to do necessary adjustments on the product & these changes may not reflect on the catalogue at the moment of production. We will do our utmost to inform you all the changes if and when.